

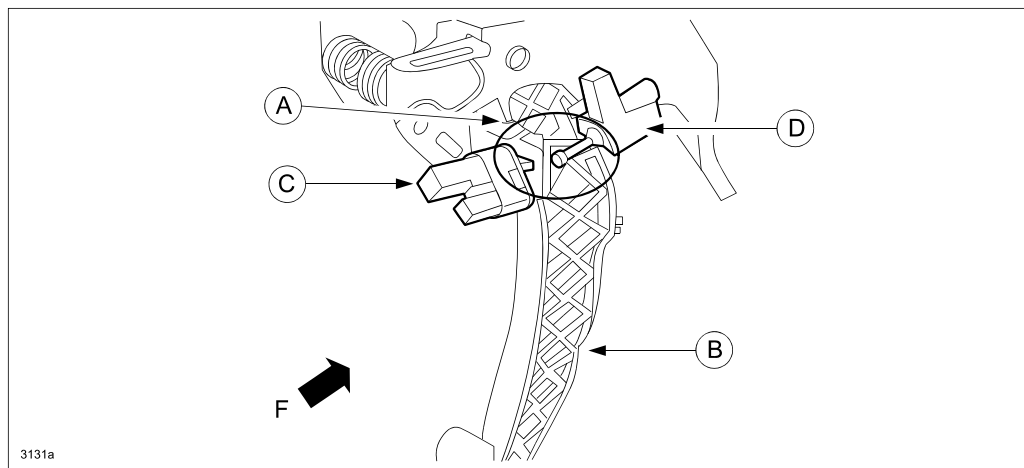
Subject: GRINDING NOISE FROM CLUTCH PEDAL WHEN DEPRESSING	Bulletin No: 05-003/16
	Last Issued: 02/10/2016

APPLICABLE MODEL(S)/VINS

2016 MX-5 vehicles with VINs lower than JM1ND*****104047 (produced before August 7, 2015)

DESCRIPTION

Some vehicles may exhibit a grind noise from around the clutch pedal when depressing it all the way down. This is caused by a stick-slip noise occurring at the contact point (A) between the clutch pedal (B) and the clutch pedal position switch (C) plunger and/or the clutch pedal and the starter interlock switch (D) plunger (F: Vehicle front).



To prevent the stick-slip noise from occurring, two pieces of silicon pad have been attached to the clutch pedal where the two switches contact.

Customers having this concern should have their vehicle repaired using the following repair procedure.

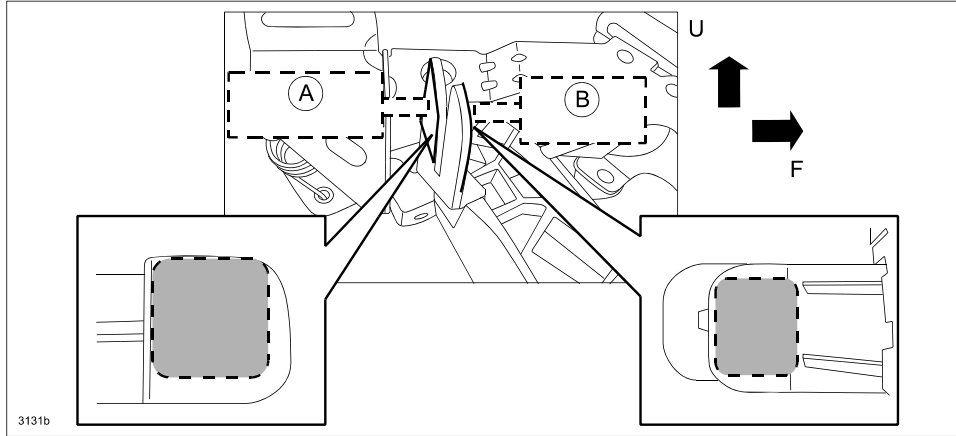
REPAIR PROCEDURE

1. Verify customer concern.
2. Attach two pieces of silicone pad to the clutch pedal.
 - a. Remove the clutch pedal position switch and the starter interlock switch according to the instructions on MS3 online or the Workshop Manual (section 09-10 CLUTCH PEDAL POSITION SWITCH REMOVAL/INSTALLATION and STARTER INTERLOCK SWITCH REMOVAL/INSTALLATION).

- b. Degrease the surfaces of the clutch pedal where the silicone pads will be applied for the clutch pedal position switch (A) and the starter interlock switch (B).

F: Vehicle front

U: Upside



- c. Peel off the protective foil and apply the silicon pad to the clutch pedal as shown below (the clutch pedal position switch and the starter interlock switch sides).

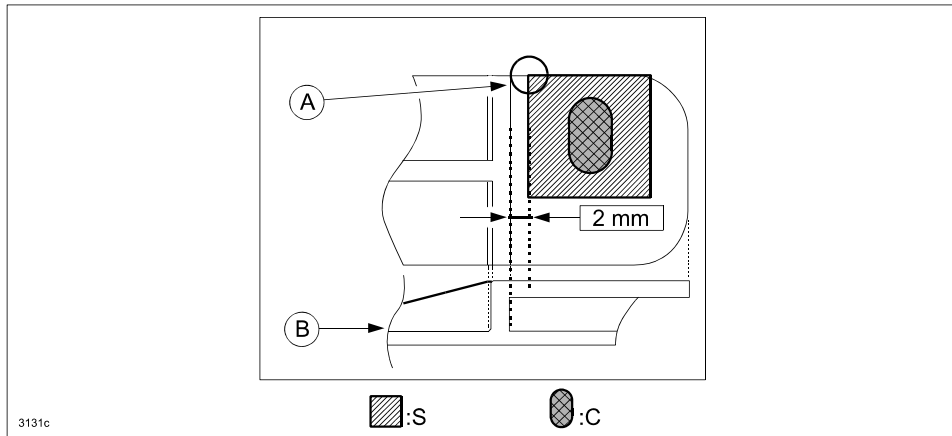
CLUTCH PEDAL POSITION SWITCH side

A: Align one corner of the silicon pad with this point

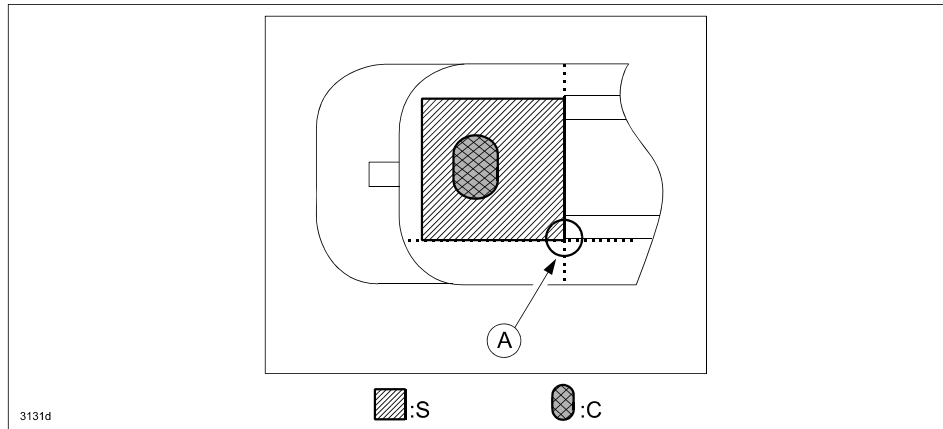
B: View from bottom

C: Contact point of switch plunger

S: Silicon pad



STARTER INTERLOCK SWITCH side
 A: Align one corner of the silicon pad with this point
 C: Contact point of switch plunger
 S: Silicon pad



3. Install the NEW clutch pedal position switch and the NEW starter interlock switch.
4. Verify repair.

PART(S) INFORMATION

Part Number	Description	Qty.	Notes
N2Y0-43-7B4	Silicon Pad	2	---
BP4K-66-49YA	Switch , Clutch	1	Replacement part (Clutch Pedal Position Switch as shown in the Workshop Manual)
KD45-66-4D0	Switch , Clutch Cut	1	Replacement part (Starter Interlock Switch as shown in the Workshop Manual)

WARRANTY INFORMATION

NOTE:

- This warranty information applies only to verified customer complaints on vehicles eligible for warranty repair.
- This repair will be covered under Mazda's New Vehicle Limited Warranty.
- Additional diagnostic time cannot be claimed for this repair.

Warranty Type	A
Symptom Code	82 (Operation noise)
Damage Code	9J (out of balance)
Part Number Main Cause	7777-SP-K65 / 0
Operation Number / Labor Hours:	XXM11XRX / 0.3 Hrs.