

Subject: FRONT LICENSE PLATE BRACKET - INSTALLATION INSTRUCTIONS - SERVICE TIP	Bulletin No: 09-011/06
	Last Issued: 3/29/2006

APPLICABLE MODEL(S)/VINS

2006 MX-5 with VINs after JM1 NC**** *6* 111794 (built after January 6, 2006)

DESCRIPTION

This bulletin describes PDI (Pre -Delivery Inspection) for front license plate bracket installation.

NOTE:

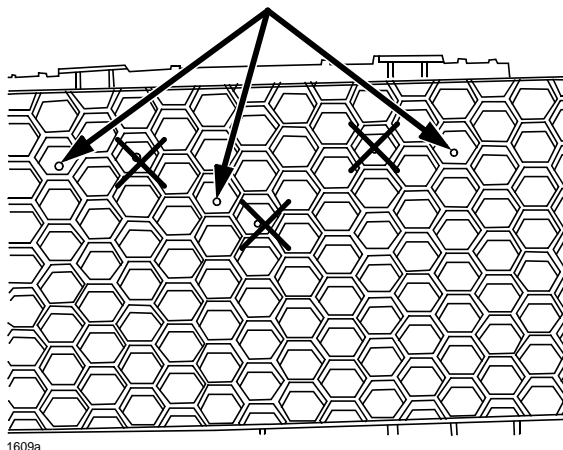
- The holes to be drilled in the front grille mesh are smaller than normal license plate bracket mounting holes used in other Mazda vehicles. Be sure to read the installation instructions provided below before installing the front license plate bracket to the grille mesh. Failure to drill the proper size holes for attaching the bracket will result in the need to remove the front bumper cover assembly and installing the bracket to the back side of the grille mesh using screws, nuts and washers.
- If holes are drilled too big and the front bumper cover needs to be removed to attach the front license plate bracket, this WILL NOT be covered under warranty and claims will be denied.

FRONT LICENSE PLATE BRACKET INSTALLATION

NOTE:

- Time to perform this repair is included in the allotted PDI time allowed for the vehicle and Warranty will not accept claims for this PDI Service.
1. Locate the 6 dimple marks in front grille mesh. Identify the 3 dimples to be used to mount the front license plate bracket.

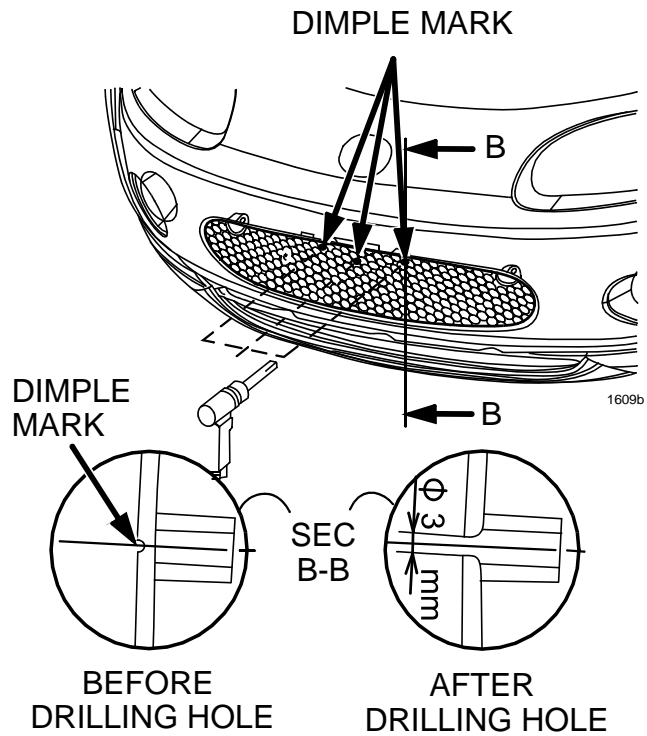
NOTE LOCATION OF DIMPLE MARKS TO BE DRILLED



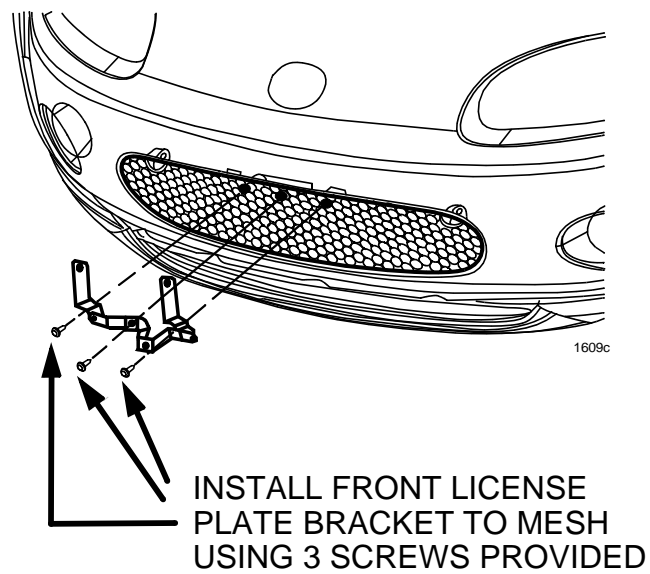
DO NOT DRILL THE DIMPLES
MARKED WITH AN X

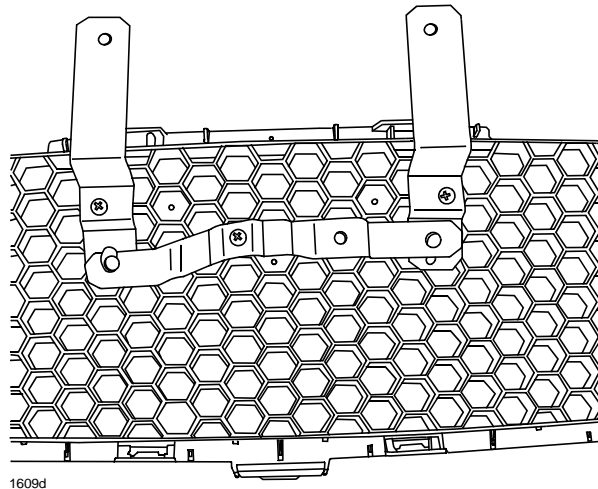
CONSUMER NOTICE: The information and instructions in this bulletin are intended for use by skilled technicians. Mazda technicians utilize the proper tools/equipment and take training to correctly and safely maintain Mazda vehicles. These instructions should not be performed by "do-it-yourselfers." Customers should not assume this bulletin applies to their vehicle or that their vehicle will develop the described concern. To determine if the information applies, customers should contact their nearest authorized Mazda dealership. Mazda North American Operations reserves the right to alter the specifications and contents of this bulletin without obligation or advance notice. All rights reserved. No part of this bulletin may be reproduced in any form or by any means, electronic or mechanical---including photocopying and recording and the use of any kind of information storage and retrieval system ---without permission in writing.

2. Drill the 3 dimples using a #31 (3mm) drill bit.



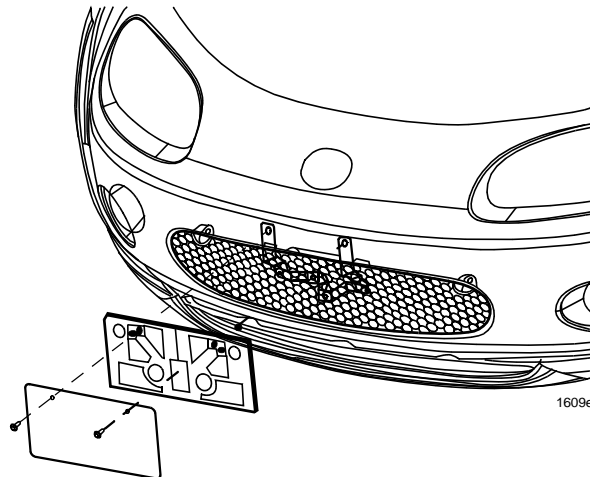
3. Attach the license plate bracket to front grille mesh using the 3 screws provided.





**FRONT LICENSE PLATE BRACKET
SHOWN INSTALLED TO MESH
USING 3 SCREWS PROVIDED**

4. Mount plate and/or frame using locally sourced M6/1 screws no longer than 1/2" (12mm) to prevent damage to bumper cover.



**INSTALL FRONT LICENSE PLATE
AND HOLDER TO BRACKET**